

SBTK1

MANUAL BALANCING
MACHINE



Features:

Manual balancing machine able to measure the unbalance of rotors fans on two planes (dynamic) or on one plane (static). The correction of the unbalances is carried out manually and it is performed by adding clips on blades fans.

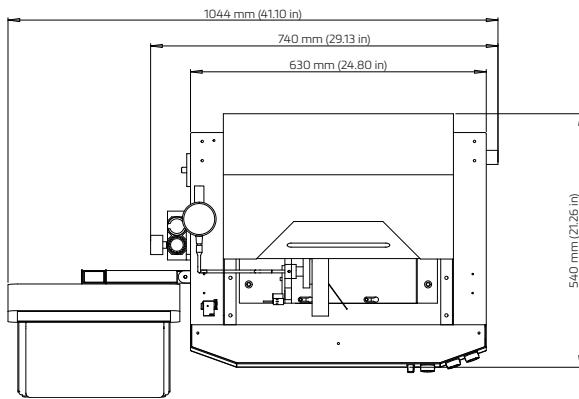
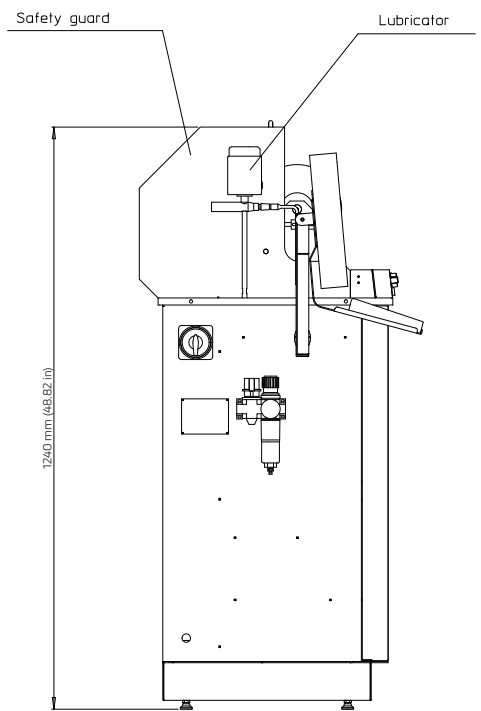
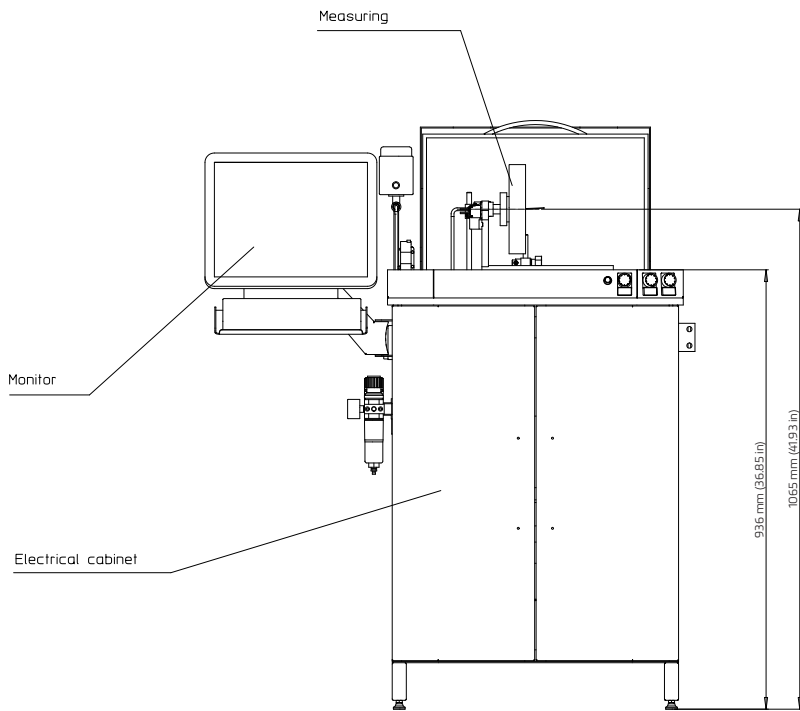
The machine can balance fans or motors assembled with fans.

Operator interface by industrial PC.

High level of flexibility and quick changeover.

Advantages:

- High level of flexibility
- High measuring precision
- High balancing precision
- Quick changeover
- User friendly



Technical data

Max parts weigh:	4 kg (8.82 lb)
Max fan diameter:	200 mm (7.87 in)
Measuring time:	10 s
Controlled by:	Industrial PC
Measuring precision:	0.1 gmm/kg max (0.04 oz.in/lb)
Power supply:	110-220 V single-phase 50/60 Hz, 1 kW
Machine dimensions (LxWxH):	600 x 700 x 1400 mm (23.62 x 27.56 x 55.12 in)
Weight:	200 kg (440.93 lb)

Options

- SPC Software
- Printer
- Teleservice



Specifications may be subject to change without notice - © 2016 | 09 | Balance Systems S.r.l.

Distributor:

Balance Systems S.r.l
 Via Roberto Ruffilli, 8/10
 20060 Pessano con Bornago
 (Milan) - Italy
 Tel. (+39) 02.9504955
 Fax (+39) 02.9504977
 info@balancesystems.it
 www.balancesystems.com

